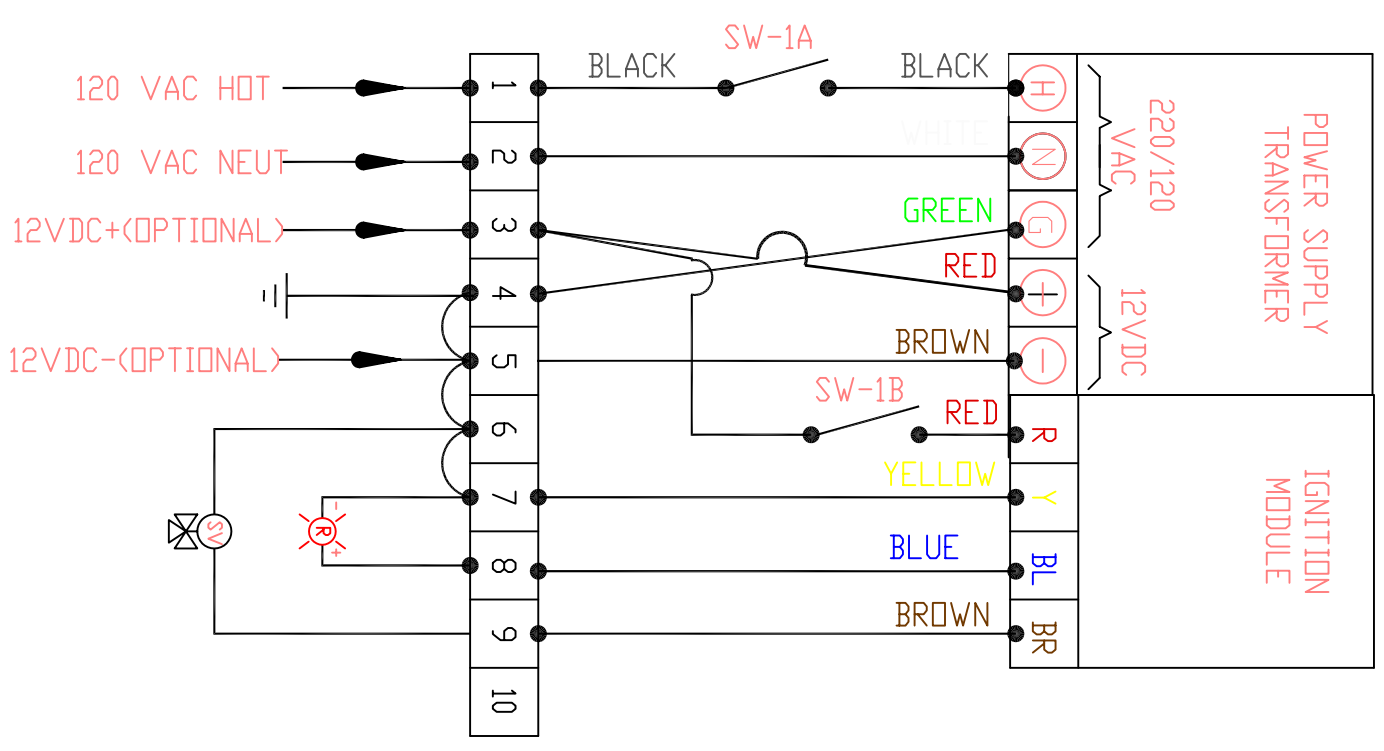
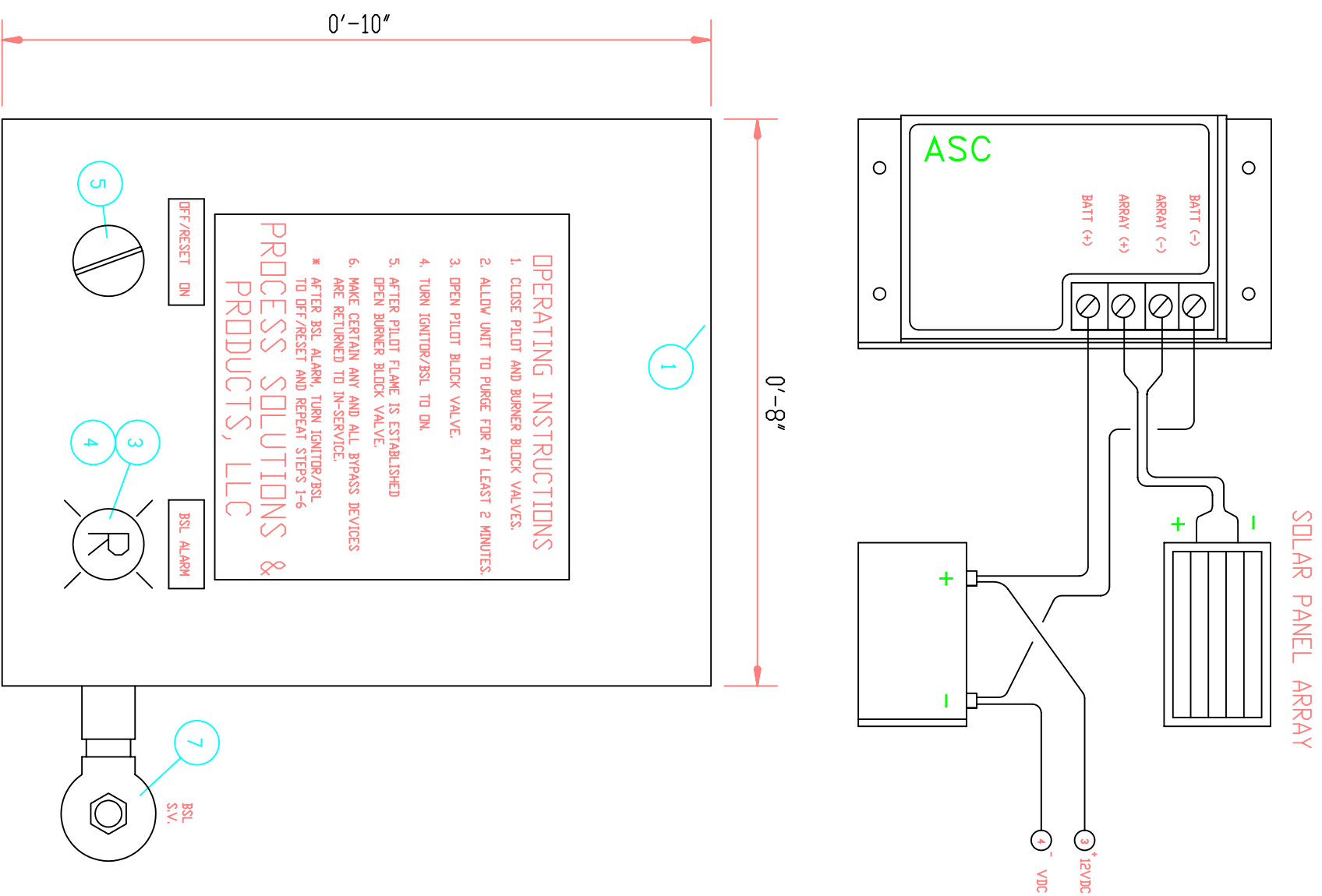


FIGURE 1 ASC CONTROLLER



NO	BY	REVISION DESCRIPTION	DATE	CHK	APP
0	MK	AS BUILT	08/06	MK	MK

**PROCESS SOLUTIONS & PRODUCTS**  
 SOLUTIONS & PRODUCTS  
 3408 E. Old Spanish Trail  
 New Iberia, LA 70560

FILE NAME: WIRING STANDARD  
 JOB NO.: STANDARD  
 DRAWN BY: MK  
 APPROVED BY: MK  
 ORG. DATE: 08/06  
 PLOT SCALE: 1"=1'

PROCESS SOLUTIONS & PRODUCTS, LLC  
 IGNITOR/BSL  
 MODEL PSP-12-110-4X-01  
 WIRING SCHEMATIC  
 REFERENCE NUMBER  
 SHEET 1  
 REV: 0